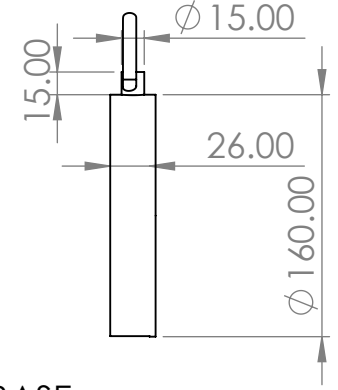
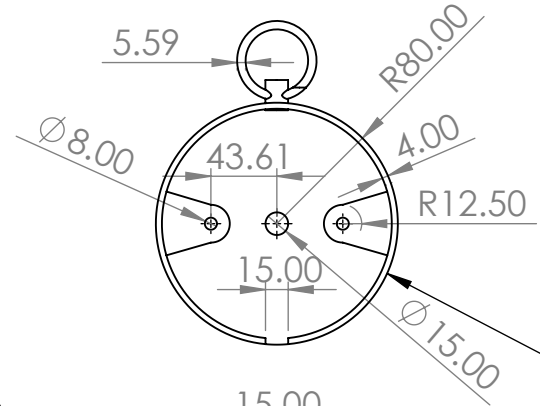
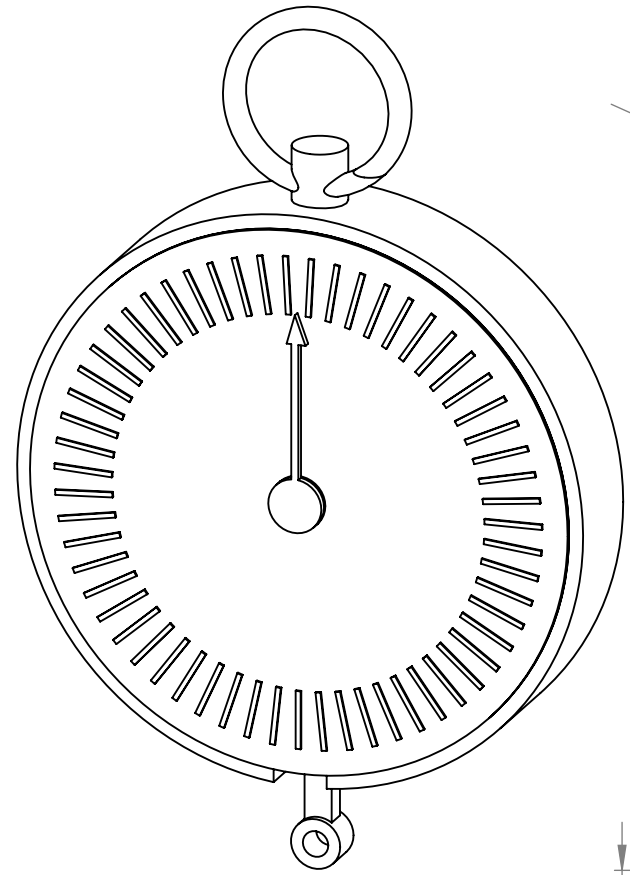
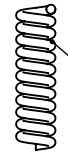
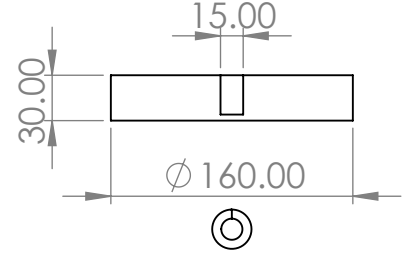


6 5 4 3 2 1

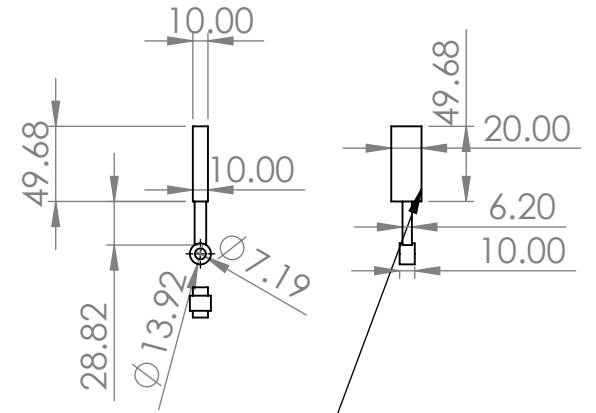
SPRING BALANCER



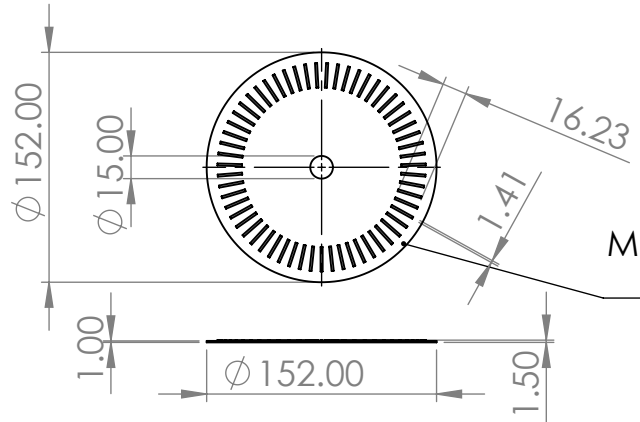
BASE



CLOSED COIL SPRING



LOADING LEVER



MEASURING SCALE

D
C
B
A

D
C
B
A

6 5 4 3 2 1